



Collamat® Linerfree

Labelling Your Product - Our Competence

Swiss Modular Labellers 

Collamat®

Collamat® Linerfree

A green revolution within environmentally friendly Print & Apply



**Collamat Linerfree® - print and labelling without backing paper
No waste - 100 % use of all labelling material**

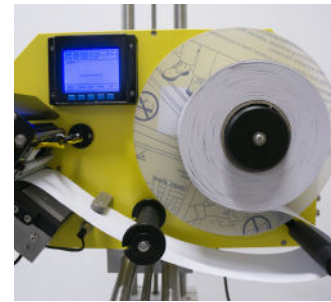
Collamat Linerfree® is an environmentally friendly, patented labelling solution, reducing CO2 emissions and significantly increasing efficiency and flexibility.

Collamat Linerfree® does not require backing paper and uses 100% of the labelling material as opposed to traditional labelling where up to 50% of the labelling material remains as waste, which must then be disposed of.

With Collamat Linerfree®, the need for pre-printed labels is eliminated and the amount of label stock required is reduced, since all labels can be printed in one label format.

CSR

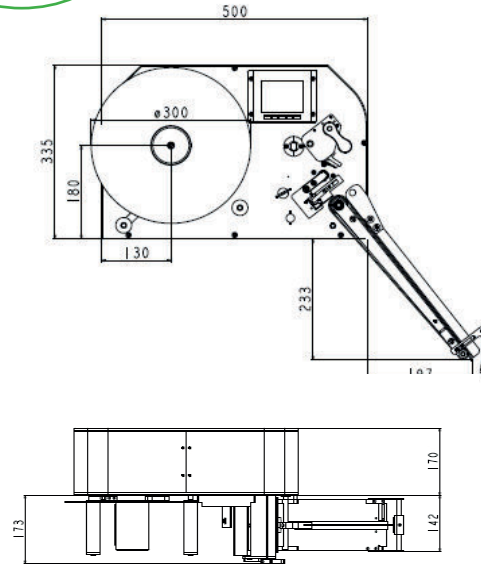
CSR activities are an increasingly important business priority, as part of efforts to implement strategies that reduce environmental impact and waste. With Collamat Linerfree®, waste handling is eliminated completely. It offers a unique solution for all companies that work with CSR and environmental and safety standards such as GSFI (Global Food Safety Initiative), and the UN's Global Compact and SDG (Sustainable Development Goals) to promote sustainable development.





FEATURES

- CSR** activity resulting in improved green credentials
- No waste** - a green solution where 100% of the label material is used
- Significant reduction of CO2** emissions and of user's carbon footprint
- Protects the environment** - 40-50% fewer trees are harvested using Collamat Linerfree® - compared to conventional label rolls
- Lower weight** of label material reduces environmental impact
- Super flexible** - one label format can solve all labelling needs
- Doubling of operating time** - 50% more paper on each label roll
- Compact and easy** to integrate into new and existing lines
- Ongoing** savings on operations 3-4 times quicker to change label rolls – resulting in minimum downtime
- Significant** environmental and operational improvements
- Linerfree** can be applied to all forms, surfaces, and corners
- Linerfree** meets requirements for sustainability
- With a single Linerfree** label roll, 5,000 labels (100 mm label length) can be printed and applied compared to approx. 2,500 labels on a conventional label roll and environment.



TECHNICAL DATA

Collamat Linerfree 203 dpi	
Resolution	203 dpi / 8 dot pr. mm
Print speed	51 - 304 mm/sec.
Feed rate	51 - 304 mm/sec.
Print width	104 mm
Label width	50 - 100 mm
Print length	6 - 150/350 mm
Label length	50 - 50-150/350 mm
Collamat Linerfree 300 dpi	
Resolution	300 dpi / 12 dot pr. mm
Print speed	50 - 254 mm/sec.
Feed rate	50 - 254 mm/sec.
Print width	105,7 mm
Label width	50-100 mm
Print length	6 - 150/350 mm
Label length	50 - 50-150/350 mm
Collamat Linerfree Applicators	
Dispenser module	150 mm/350 mm
Options: Pneumatic tamp and front applicator	
Structure	
Print technology	Direct thermal transfer
Motor	Stepper motor
Right/left usage	Yes
Run-out alarm	Label-run out alarm
Operation	
Display	LCD display with back light
Keyboard	Function keys
Languages	DK, GB, D, NL, F, I, NL, RU

TECHNICAL DATA

Internal Control	
Control	Microprocessor
Connectivity options	Ethernet and Serial (RS232)
Machine Specifications	
Material	Anodised aluminium and stainless steel
IP-rating	Dispenser IP 32
Dimensions	(HxWxL) 478 x 355 x 784 mm
Weight (approx.)	25 kg
Voltage/output	230 V / 200 W
Certifications	CE
Warranty	One year at eight hours operation per day five days a week
Options	
Non-stop operation	100% uptime
MCL	Printer as independent communicating unit
Software	Nicelabel, Codesoft, Prisym, Bartender and Windows printer driver
Collamat Linerfree Paper	
Standard width	49, 70, 98 mm
Standard colour	Neutral white
Special colour/logo	Please contact us for further information

Collamat Linerfree® paper is produced under the strictest quality control. Collamat Linerfree® paper is coated on both sides, and the adhesive and silicone are developed to achieve a self-cleansing effect. This means that Collamat Linerfree® paper offers the highest degree of dependability and quality, and is optimised for the machine.



LINERFREE | COPYRIGHT © 2019 COLLAMAT S.A. | ALL

Collamat®

Hofackerstrasse 73, CH-4132 Muttenz, Switzerland
Tel.: +41 61 756 28 28, Fax: +41 61 756 29 29
contact@collamat.ch, www.collamat.ch

Swiss Modular Labellers 